

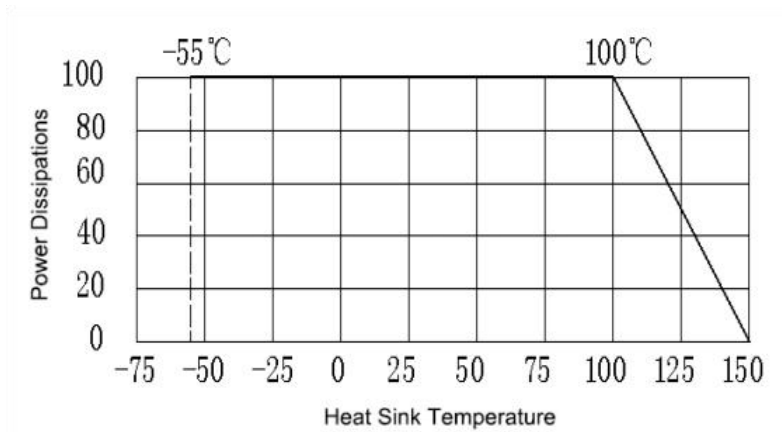
## Flange Resistors

### Electrical Features

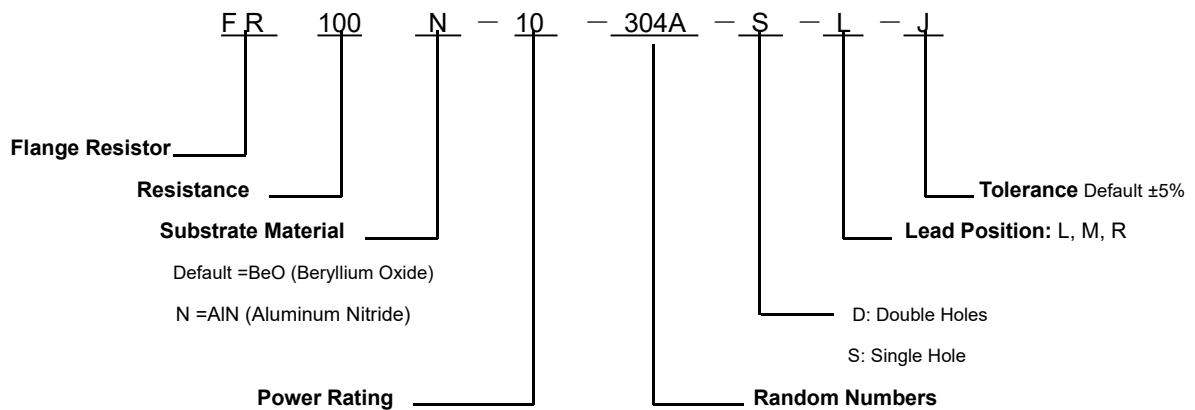
- ✧ **Resistance:** 100Ω standard (10Ω ~ 1000Ω available)
- ✧ **Resistive Tolerance:** ±5% standard; ±3%, ±2%, ±1% available
- ✧ **Substrate Material:** Beryllium Oxide (BeO)
- ✧ **Power Rating:** 30W-3000W
- ✧ **Operating Temperature:** -55°C to +150°C
- ✧ **Temperature Coefficient:** ±150ppm/°C
- ✧ **Installation method:** The flange is fixed with screws and must be in close contact with the heat sink.

The lead wire can be welded with a soldering iron.

### Power Derating



### HOW TO ORDER



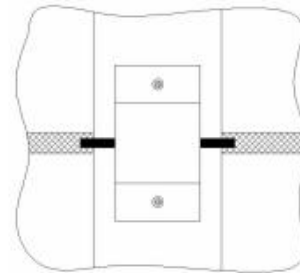
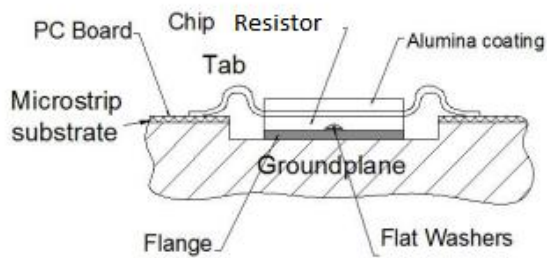
## General Specifications and Dimensions

Part Number	Resistance (Ω)	Substrate	Power Rating (W)	Capacitance (pF)	Dimensions (mm)		
					L	W	T
FRXX-30-303A-S-R-J	10-1000	BeO	30	1	5.0	7.7	3.5
FRXX-60-102A-S-R-J	10-1000	BeO	60	1.9	6.0	13.0	3.5
FRXX-100-208A-D-M-J	10-1000	BeO	100	3.6	6.0	20.0	3.5
FRXX-150-302A-D-M-J	10-1000	BeO	150	4	9.5	22.1	3.5
FRXX-250-504A-D-M-J	10-1000	BeO	250	4.5	9.5	24.8	5.0
FRXX-800-106A-D-M-J	10-1000	BeO	800	23	26.4	48.3	6.5
FRXX-3000-801A-D-M-J	100	BeO	3000	46*2	48.0	87.8	10.0

\* Customized products are available, please consult with Kete.

## Installation Instructions

1. When welding devices or leads, it is best to use a temperature-controlled soldering iron and keep the temperature at 260°C.
2. It is best to make an arch bridge shape at the lead (as shown), which can release the ability of thermal deformation to ensure good contact at the lead. Install the lead as little as possible to prevent the lead break.



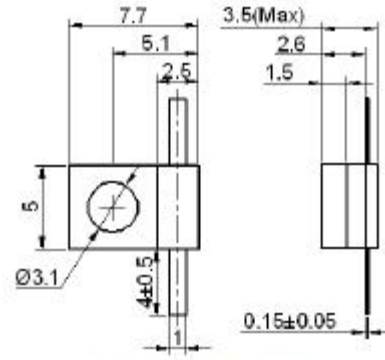
## Flange Resistors

**Part Number: FRXX-30-303A-S-R-J**

### Electrical Specifications

- ◇ **Resistance:** 100 Ω standard (10Ω~1000Ω available)
- ◇ **Resistive Tolerance:** ±5% standard
- ◇ **Substrate Material:** BeO
- ◇ **Power Rating:** 30W
- ◇ **Capacitance:** 1pF
- ◇ **Operating Temperature:** -55°C to +150°C
- ◇ **Temperature Coefficient:** ±150ppm/°C
- ◇ **Lead Length:** 4mm

### Outline Drawing (mm)

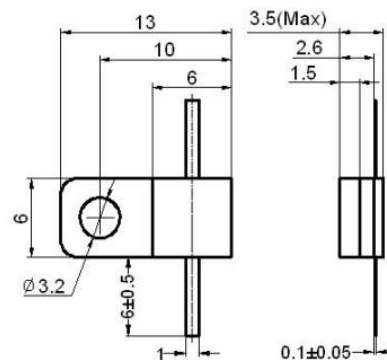


**Part Number: FRXX-60-102A-S-R-J**

### Electrical Specifications

- ◇ **Resistance:** 100 Ω standard (10Ω~1000Ω available)
- ◇ **Resistive Tolerance:** ±5% standard
- ◇ **Substrate Material:** BeO
- ◇ **Power Rating:** 60W
- ◇ **Capacitance:** 1.9pF
- ◇ **Operating Temperature:** -55°C to +150°C
- ◇ **Temperature Coefficient:** ±150ppm/°C
- ◇ **Lead Length:** 6mm

### Outline Drawing (mm)

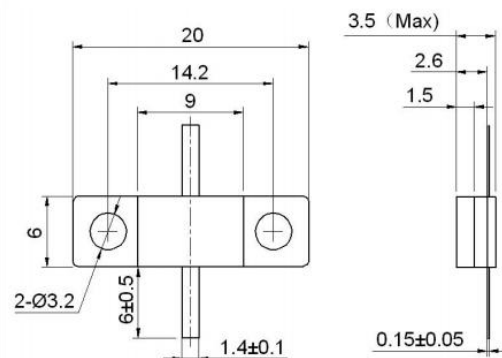


**Part Number: FRXX-100-208A-S-R-J**

### Electrical Specifications

- ◇ **Resistance:** 100 Ω standard (5Ω~3000Ω available)
- ◇ **Resistive Tolerance:** ±5% standard
- ◇ **Substrate Material:** BeO
- ◇ **Power Rating:** 100W
- ◇ **Capacitance:** 3.6pF
- ◇ **Operating Temperature:** -55°C to +150°C
- ◇ **Temperature Coefficient:** ±150ppm/°C
- ◇ **Lead Length:** 6mm

### Outline Drawing (mm)



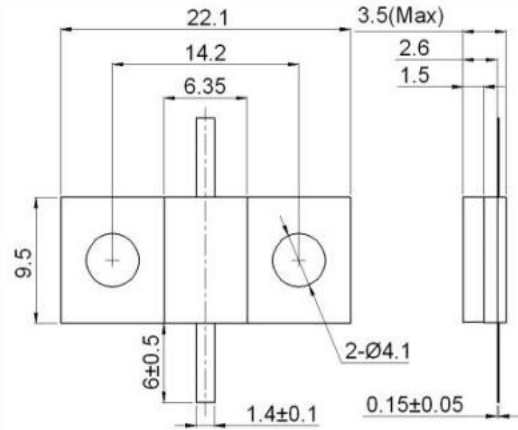
## Flange Resistors

**Part Number: FRXX-150-302A-S-R-J**

### Electrical Specifications

- ◇ **Resistance:** 100 Ω standard (5Ω~3000Ω available)
- ◇ **Resistive Tolerance:** ±5% standard
- ◇ **Substrate Material:** BeO
- ◇ **Power Rating:** 150W
- ◇ **Capacitance:** 4pF
- ◇ **Operating Temperature:** -55°C to +150°C
- ◇ **Temperature Coefficient:** ±150ppm/°C
- ◇ **Lead Length:** 6mm

### Outline Drawing (mm)

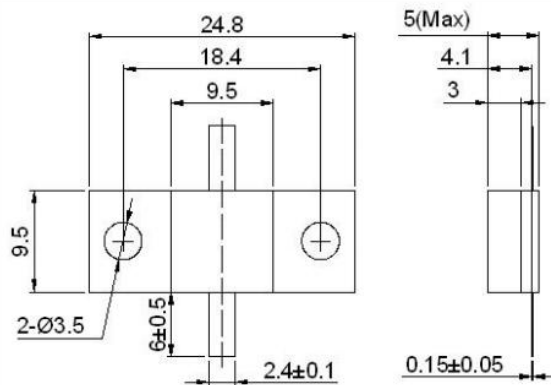


**Part Number: FRXX-250-504A-S-R-J**

### Electrical Specifications

- ◇ **Resistance:** 100 Ω standard (5Ω~3000Ω available)
- ◇ **Resistive Tolerance:** ±5% standard
- ◇ **Substrate Material:** BeO
- ◇ **Power Rating:** 250W
- ◇ **Capacitance:** 4.5pF
- ◇ **Operating Temperature:** -55°C to +150°C
- ◇ **Temperature Coefficient:** ±150ppm/°C
- ◇ **Lead Length:** 6mm

### Outline Drawing (mm)

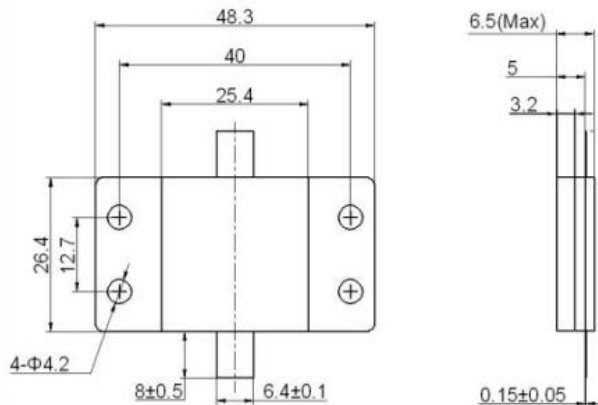


**Part Number: FRXX-800-106A-D-M-J**

### Electrical Specifications

- ◇ **Resistance:** 100 Ω standard (5Ω~3000Ω available)
- ◇ **Resistive Tolerance:** ±5% standard
- ◇ **Substrate Material:** BeO
- ◇ **Power Rating:** 800W
- ◇ **Capacitance:** 23pF
- ◇ **Operating Temperature:** -55°C to +150°C
- ◇ **Temperature Coefficient:** ±150ppm/°C
- ◇ **Lead Length:** 8mm

### Outline Drawing (mm)



## Flange Resistors

Part Number: FR100-3000-801A-D-M-J

### Electrical Specifications

- ◇ **Resistance:** 100 Ω
- ◇ **Resistive Tolerance:** ±5% standard
- ◇ **Substrate Material:** BeO
- ◇ **Power Rating:** 3000W
- ◇ **Capacitance:** 46\*2pF
- ◇ **Operating Temperature:** -55°C to +150°C
- ◇ **Temperature Coefficient:** ±150ppm/°C
- ◇ **Lead Length:** 6mm

Outline Drawing (mm)

